



PRO-FORM

Concrete Forming System

- Easy to Erect
- Reusable
- Handset or Gang Form
- Versatile for any Size or Shape
- Best Pricing

ELLIS has been manufacturing concrete forming and shoring systems since 1964.

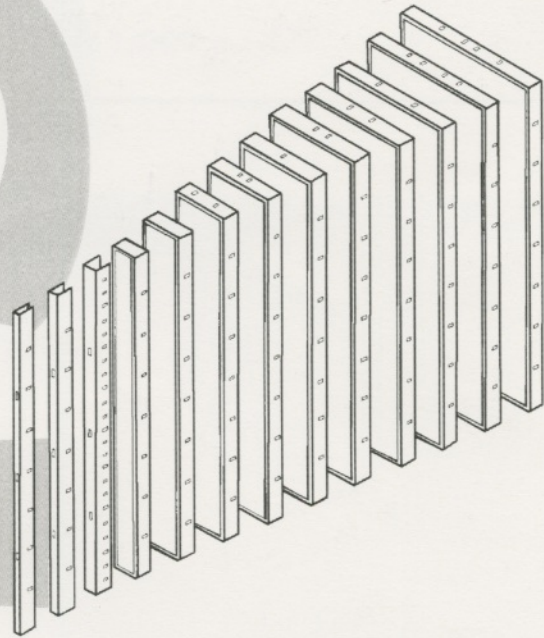


ELLIS

Formwork Manufacturing LLC

PRO-FORM FILLERS

ELLIS has 105 different panel and filler sizes for sale or rent, providing you with the best fit for each of your job requirements. We do our own manufacturing so when you need something out of the ordinary we can work with you to design and build forms and shoring to your exact specifications.



Available in 10', 9', 8', 6', 5', 4', 3' and 2' heights

Available in 24", 22", 20", 18", 16", 14", 12", 10", 8", 6", 4", 2", 1 1/2" and 1" widths. Heavy Duty Panels to 36"

PRO-FORM TIES

Loop Panel



Gang Loop Panel



Loop Panel with Cone

1", 1 1/2", 2" cones available



Base Ties



X-Flat Ties

1/4" Break Back



	ULTIMATE LOAD	WORKING LOAD ACCORDING TO SAFETY FACTORS	
		1.5	2.0
Standard Duty Wire Tie	4500	3000	2250
Heavy Duty Wire Tie	6000	4000	3000
Base Tie	3000	2000	1500
X-Flat Tie	6000	4000	3000

ELLIS

Formwork Manufacturing LLC

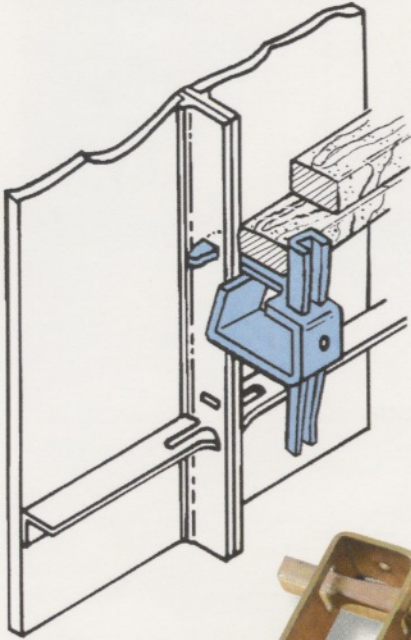
12407 Holmboe Avenue
Oklahoma City, OK 73114
405.848.4676 FAX 405.848.4474

800.654.9261

www.ellisforms.com

info@ellisforms.com

PRO-FORM HARDWARE & ACCESSORIES



WALER CLAMP

One Piece Waler Clamps are fast and simple. They are used to align forms by laying a single or double 2" x 4" on clamps and tightening with a hammer. Waler one side of the wall for a single tier of forms. Patent No. 6,322,047



J-STRONGBACK HOOKS

J-Strongback hooks are used to attach vertical strongbacks to horizontal walers. Strongbacks are only needed when stacking forms.

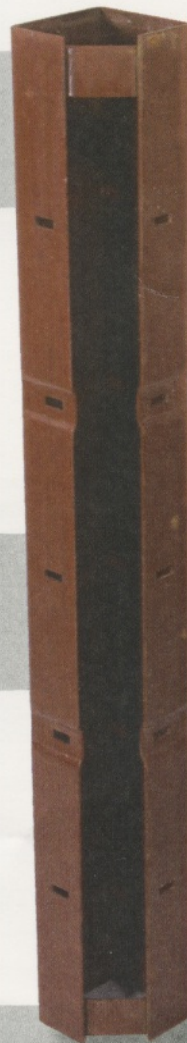
WEDGE BOLT

Wedge bolts are used to hold forms together.



Inside
Corner

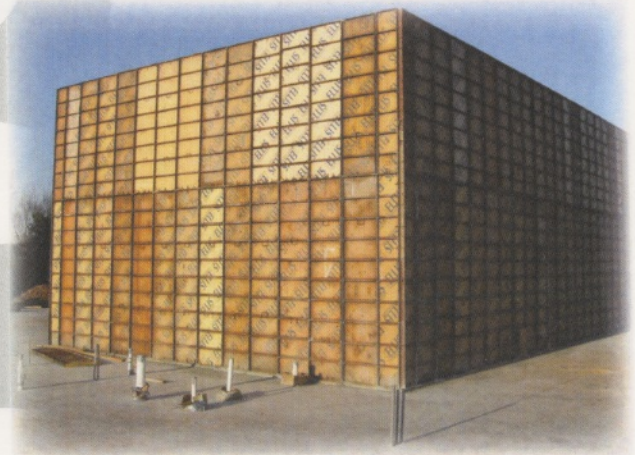
Outside
Corner



ELLIS PRO-FORM

Load Rating: 1,000 p.s.f.

ELLIS PRO-FORM is a reusable, modular concrete forming system. It is versatile and can be hand set or gang formed to fit your job requirements. Pro-Form is designed to handle a variety of jobs from residential to commercial projects. It works great for almost any size or shape of wall including columns and round tanks. Special heavy-duty column forms are available for purchase only. Whatever type of structure you are forming you will find that Pro-Form will fit your needs.



Pro-Form is ideal on smaller jobs where easy set-up and shipping saves time with virtually no sawing, drilling or nailing required.

Pro-Form is easily used in Gang Form Applications.



Pro-Form Basic Features

- **Pro-Form is a 1,000 PSF System**
- **Fast and Easy Hardware Connections**
- **High Carbon Steel for Years of Use**
- **Compatible with Symons Steel-Ply and other similar systems**
- **1/2" 100/30 HDO Plywood**

All plywood edges are polyurethane sealed for protection against moisture

- **Handles for ease in transporting, positioning and stripping**

Handles are not to be used for climbing or connecting fall protection devices.